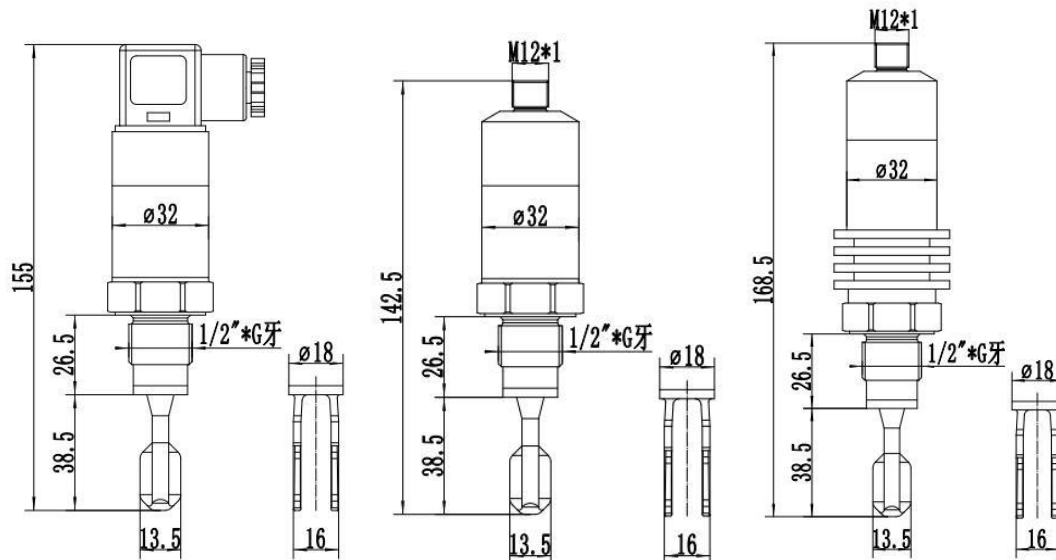


Vibrating Fork Level Switch

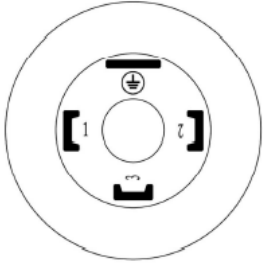
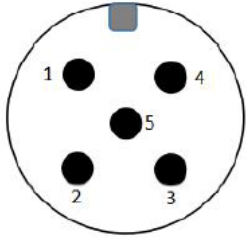
QFLS10



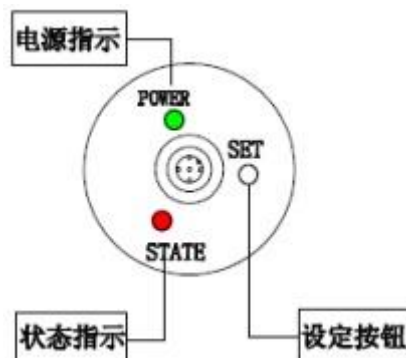
Technical data:

Power supply	19...60VDC 19...250VAC 50/60Hz
Switching time	In the medium 2 seconds, Empty: 3 seconds
Environment Temp.	-40...+70°C
Shelf Temp.	-40...+85°C
Medium Temp.	-40...+150°C
Working Temp.	-1...+40bar
Medium type	Powder and particle =10mm, density>0.1g/cm ³
	Liquid, Viscosity =10000mm ² /s, density>0.7g/cm ³
Process connect	G1/2" G3/4"
Electric connect	M12×P1.0 Connector
Shell Material	SS304
Fork material	SS304/SS316
Output	Relay, AC250V/4A, DC60V/4A
	NPN, 400mA
	PNP, 400mA
Power consumption	DC<3W, AC <15W

Wiring

Type	Relay	NPN/PNP
 <p>Hirschmann plug</p>	<p>① → 24VDC+</p> <p>② → 0VDC</p> <p>③ → NO/NC</p> <p>⊕ → COM</p>	<p>① → 24VDC+</p> <p>② → 0VDC</p> <p>③ → PNP</p> <p>⊕ → NPN</p>
 <p>M12*1-Five-core aviation connector</p>	<p>① → Brown → 24VDC+</p> <p>④ → Black → 0VDC</p> <p>② → White → NO</p> <p>③ → Blue → NC</p> <p>⑤ → Grey → COM</p>	<p>① → Brown → 24VDC+</p> <p>④ → Black → 0VDC</p> <p>② → White → NPN/PNP</p> <p>③ → Blue → A</p> <p>⑤ → Grey → B 485</p>

Instruction



1. Put the fork body into the object to be measured and determine the alarm position of the fork body. Press and hold the "SET" button or use a magnet to attract "SET" for 3 seconds. The green light is on, and the setting is completed.

Special Note:

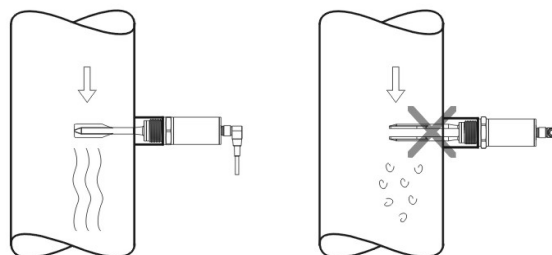
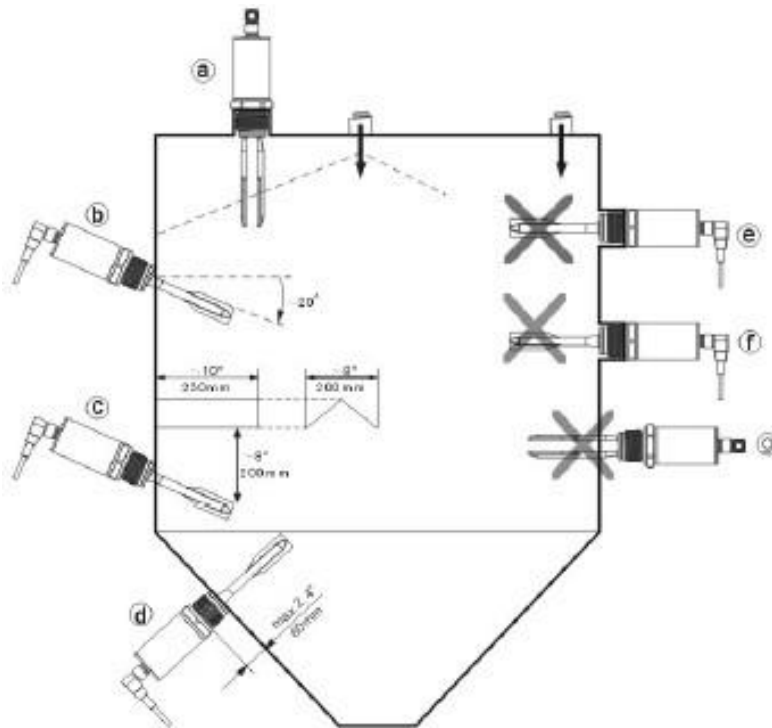
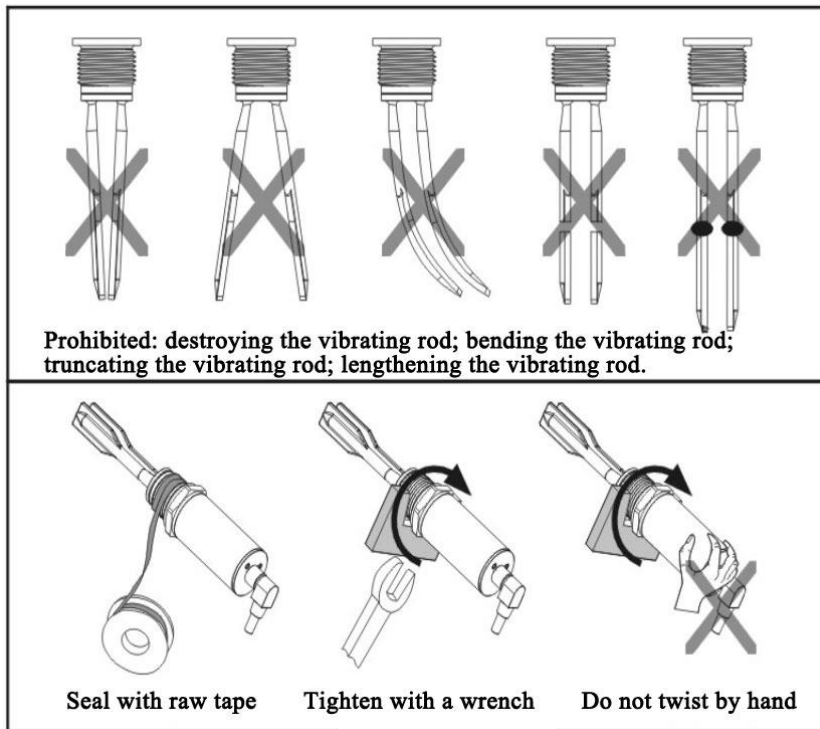
This tuning fork has a self-test function. It can overcome the vibration absorption phenomenon after the fork body is installed on the barrel wall, and can also prevent noise interference and avoid malfunction.

2. The factory setting value of the product is based on the density of water (1g/cm^3), as the benchmark for state switching, when the density of the object to be measured is $\geq 1\text{g/cm}^3$, it can be used normally without relearning. When the density of the object to be tested is $< 1\text{g/cm}^3$, it is necessary to redo the detection settings.


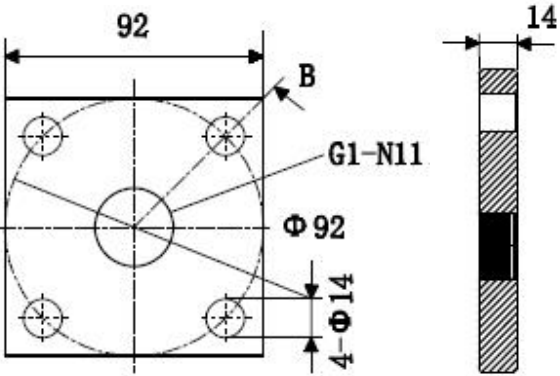
Status indication

		U~(AC) 	U~(DC)
Full (max)			
Empty (min)			
		<p> : Green LED - Power Souce : Red LED - Working status : Setting </p>	

Installation



Accessories

<p>Cable</p>	
<p>Flange</p>	
<p>Sub-Insert</p>	